

Single Mode Fiber or Polarization Maintained Fiber Output 830nm Laser Series (OELS830)

Absolute Maximum Rating

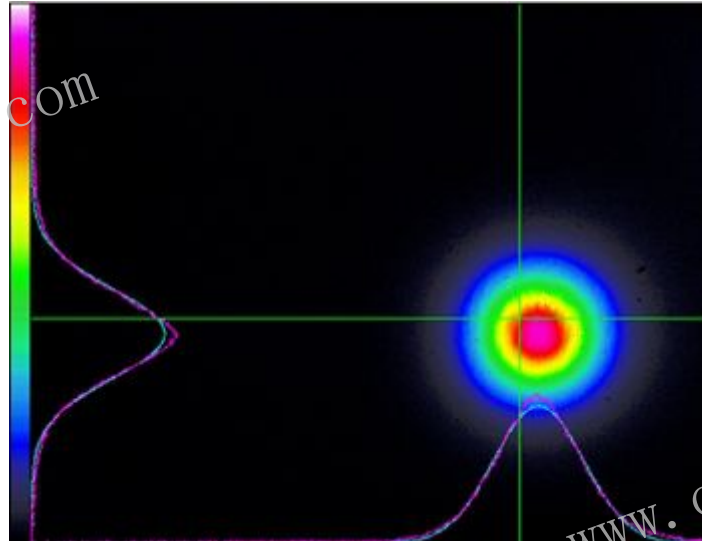
Features

- SM/PM Fiber Output
- High Beam Quality
- TEM00

Parameter	Symbol	Requirement
Output Power (CW)	Po	1-40 mW
Operating temperature ⁽¹⁾	Topr	-0°C--45°C
Storage Temperature	Tstg	-40°C--85°C

Note: (1): Case Temperature

Typical Laser Beam Profiler



Optical Performance and Characters

Parameter	Condition	Symbol	Min	Typ	Max	Units
Output Power(CW)	@P0	P0	-	40	-	mw
Power stability	2hrs	Ps	-	-	3	%
Central Wavelength	@P0	λ_c	-	830	-	nm
Spectral Line Width	@P0	FWHM	-	2	-	nm
Fiber Cord diameter	-	Single Mode Fiber or Polarization Maintained Fiber				
Fiber Length	-	-	-	100	-	cm
Fiber Connector	-	-	FC/APC			
Warm up time	@P0	Tw	-	-	5	min
Niose	RMS(10Hz-100Hz)	N	-	1	-	%
Expected Life Time ⁽²⁾	@P0	MTBF	-	10000	-	Hrs

Note: (2): laser diode

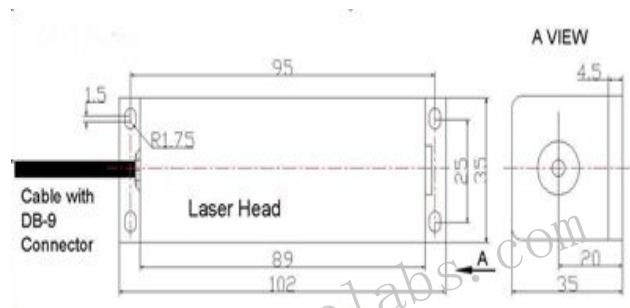
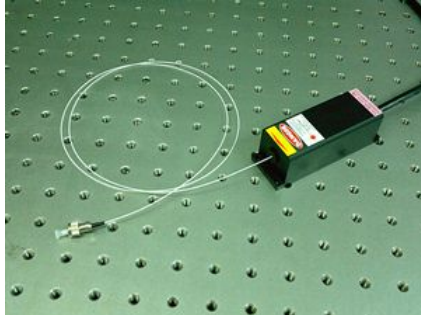
Oelabs Inc.

Add: 1265. Ouimet, app.10, Montreal Q.C.Canada H4L 3P8

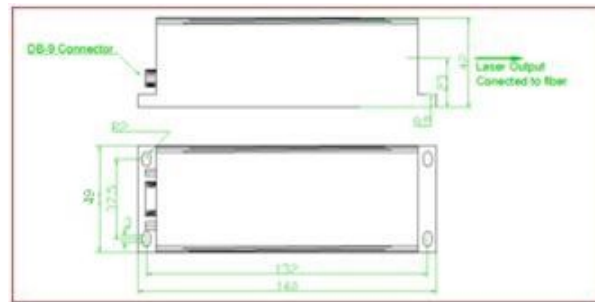
www.oelabs.com Email: sales@oelabs.com

Package Dimensions

T-Type: with Temperature Stabilized, Laser Driver Separated, 35x35x102mm Package



T7-Type: with Temperature Stabilized, Laser Driver Included, 49x42x140mm Package



F-Type, Laser and driver separated, Laser Head no TEC, Phi20x60mm Package

