

658nm Wavelength & Spectrum Stabilized laser (OEWSL658nm)

Features

Narrow spectral Bandwidth: <0.2nm
Temperature Stabilized Spectrum: <0.005nm/°C

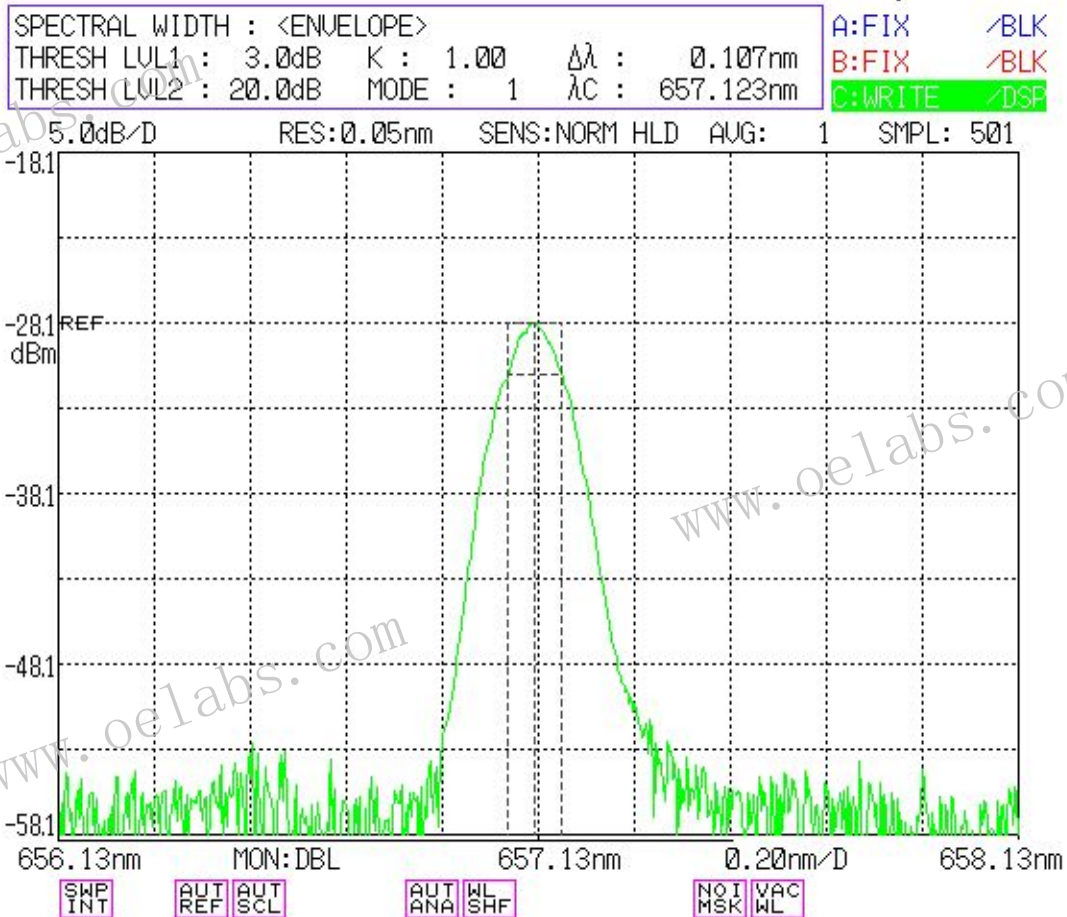
Absolute Maximum Rating

Parameter	Symbol	Requirement
Output Power (CW)	Po	1-100 mW
Operating temperature ⁽¹⁾	Topr	-0°C--45°C
Storage Temperature	Tstg	-40°C--85°C

Note: (1): Case Temperature

Typical Spectrum

2011 May 19 09:23



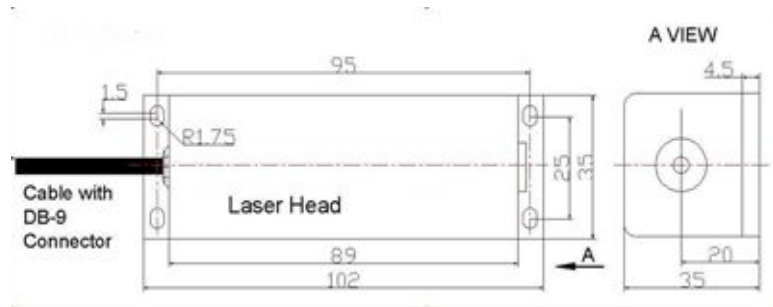
Optical Performance and Characters

Parameter	Condition	Symbol	Min	Typ	Max	Unit
Output Power (CW)	@P _o	P _o	-	100	-	mw
Power stability	2hrs	P _s	-	-	3	%
Central Wavelength	@P _o	λ_c	657	658	659	nm
Spectral Line Width	@P _o	FWHM	-	0.1	0.3	nm
Wavelength Drift	@P _o	λ_d	-	0.01	-	nm/°C
Warm up time	@P _o	T _w	-	-	5	min
Noise	RMS(10Hz-100MHz)	N	-	-	1	%
Expected Life Time ⁽²⁾	@P _o	MTBF	-	10000	-	Hrs

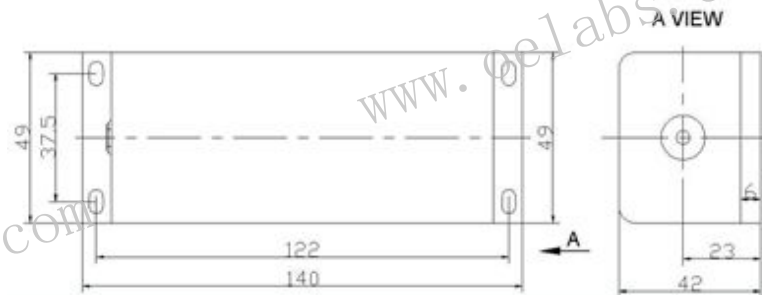
Note: (2): laser diode

Package Dimensions

T-Type: with Temperature Stabilized, Laser Driver Separated, 35x35x102mm Package



T2-Type: with Temperature Stabilized, Laser Driver Separated, 49x42x140mm Package



T7-Type: with Temperature Stabilized, Laser Driver Included, 49x42x140mm Package

